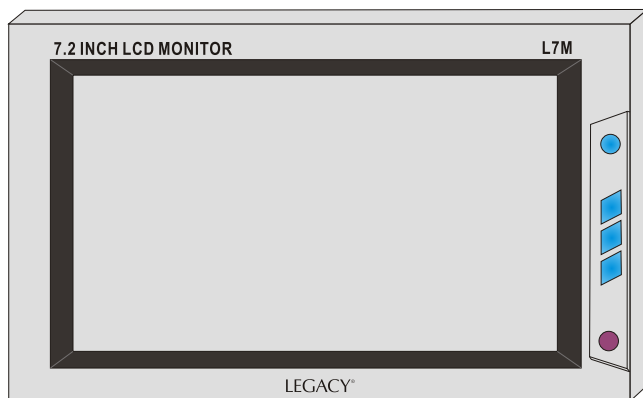


LEGACY[®]

7.2 INCH LCD COLOR MONITOR

OPERATING INSTRUCTIONS



Before operating this set, please read these instructions completely

LCD Monitor Instruction Manual

Thank you for purchasing our LCD Monitor. To achieve maximum performance and to insure proper operation, read this manual carefully before attempting installation or wiring.

1. Do not repair it by yourself, if any trouble occurs, please immediately shut it off and contact our company or local dealer. This monitor is composed of many precise electronic components, any detachment or reassembling may result in damages to the set.
2. Do not expose it in humid air, dust vapor, oil lampblack, sunlight, etc.
3. Do not use thinner or any other chemical cleaner. Please choose soft cloth to clean the dirt on the monitor.
4. Keep the monitor far from extremely heating or cooling places.
Storage temperature: $-25\sim 60^{\circ}\text{C}$
Operating temperature: $-5\sim 40^{\circ}\text{C}$
5. Prevent the sun from falling or striking

Warning

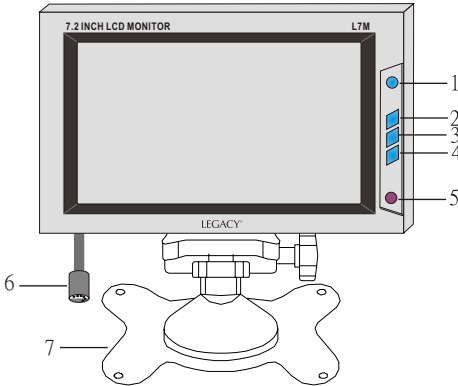
Please do not operate the monitor or watch video while driving, it may cause an accident. Park your car in a safe place to operate the monitor or watch video.

Special hints

There may be some blink dots in the screen, it is a common phenomenon in active matrix display technology, but not a defect or trouble

LCD Monitor Instruction Manual

Button control and layout

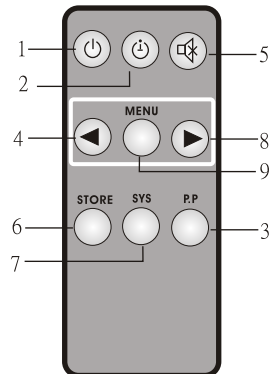


Monitor

- 1) Power button
- 2) Increase button
- 3) Menu button(volume, brightness, color, contrast)
- 4) Decrease button
- 5) Remote sensor
- 6) Power cord
- 7) Stand

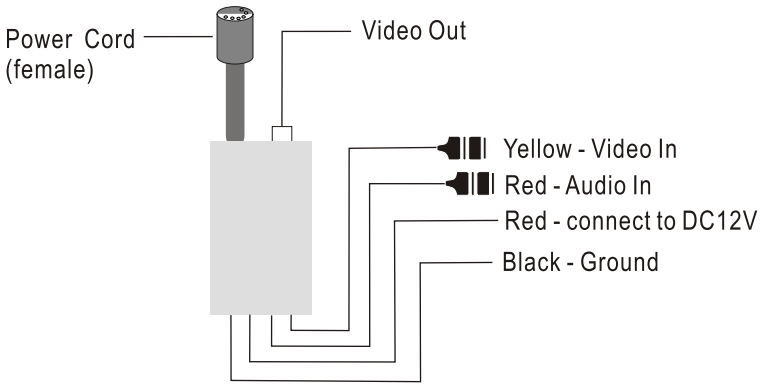
Remote Control Operation

- 1) Power button
- 2) Timer
- 3) Personal preference
- 4) Decrease button
- 5) Mute
- 6) Memory
- 7) Picture invert (up, down, left, right)
- 8) Increase button
- 9) Menu button



LCD Monitor Instruction Manual

Connector diagram



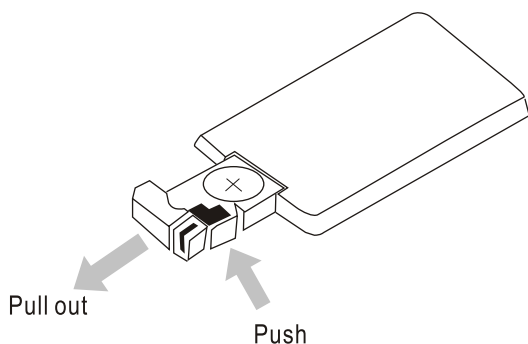
Operatin of remotecontrol

- 1) Press mode button to select brightness, contrast and volume control, press increase or decrease to adjust correspondent analog.
- 2) press [PP] to select the preset analog
- 3) Store the analog

When you have set desired brightness, color, contrast, and volume, press [STORE], then press [PP], the screen will display [STORE PP], press [STORE] again, [STORE] in screen will turn to green, the moment analog has been stored, in the future to enable analog return to the stored state, you only need to press [PP] button.

LCD Monitor Instruction Manual

Replacing batteries of remote control



- 1) Always use new batteries when replacing the old set.
- 2) Do not attempt to charge, short-circuit, disassemble, heat or burn used batteries
- 3) Battery replacement is necessary when remote control acts sporadically or stops operating this.
- 4) Do not drop, apply shock or step on the remote control
- 5) Do not spill water on the remote control
- 6) Do not place objects between the remote control and remote control sensor
- 7) Do not use remote controls for other equipment at the same time
- 8) If the monitor does not operate even when operating the remote control from a close range, it is time to replace a new battery (CR2025).